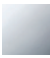

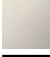


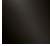


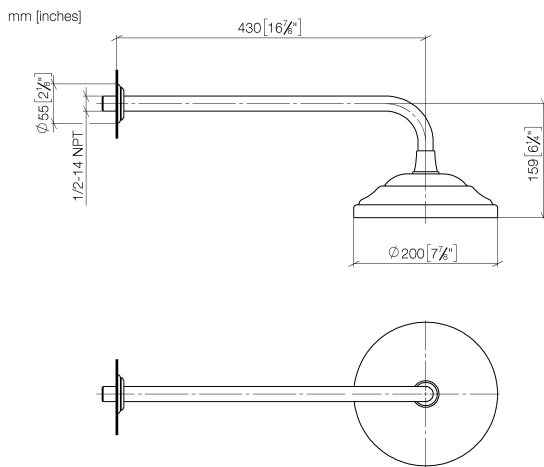
28 544 977



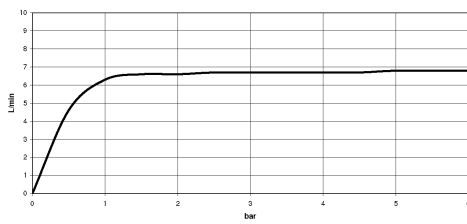
- 435mm projection
- rain shower Ø 200 mm
- rain flow
- max. flow 7 l/min
- Function from: 6.5 l/min
- rosette Ø 55 mm
- 1/2" connection
- with anti-scale system
- This product can help a building meet the requirements of Green Building Rating Systems, e.g. LEED®, BREEAM®, DGNB

	Chrome	28 544 977-00
	Brushed Platinum	28 544 977-06
	Platinum	28 544 977-08
	Durabrand (23kt Gold)	28 544 977-09
	Brushed Durabrand (23kt Gold)	28 544 977-28
	Brushed Dark Platinum	28 544 977-99

28 544 977



**Flow rate chart**

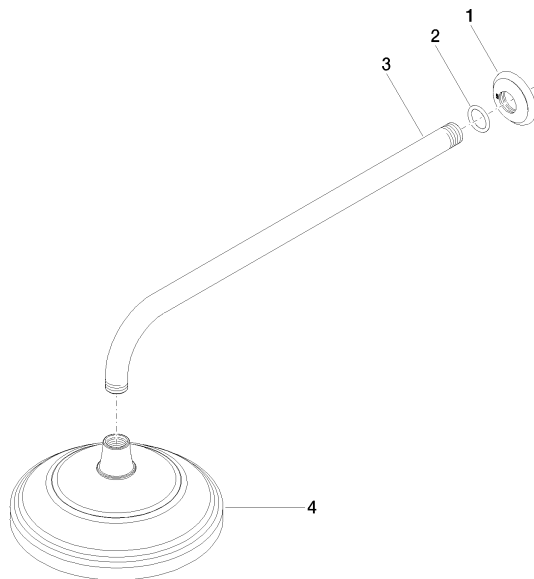


**Certificates**

LGA\_38654.

28 544 977

Parts for other finishes can be found here: Brushed Platinum



### Spare parts list

No.	Item Number	Name	Quantity used	Delivery time
1	09 27 35 003-00	rosette	1	10
2	90 14 10 026 00 90	seal	1	2
3	09 11 03 017-00	connection	1	10
4	90 12 05 038 20-00	shower	1	10